
67451- GRILL ELEKTRYCZNY 2000W, 29X23CM

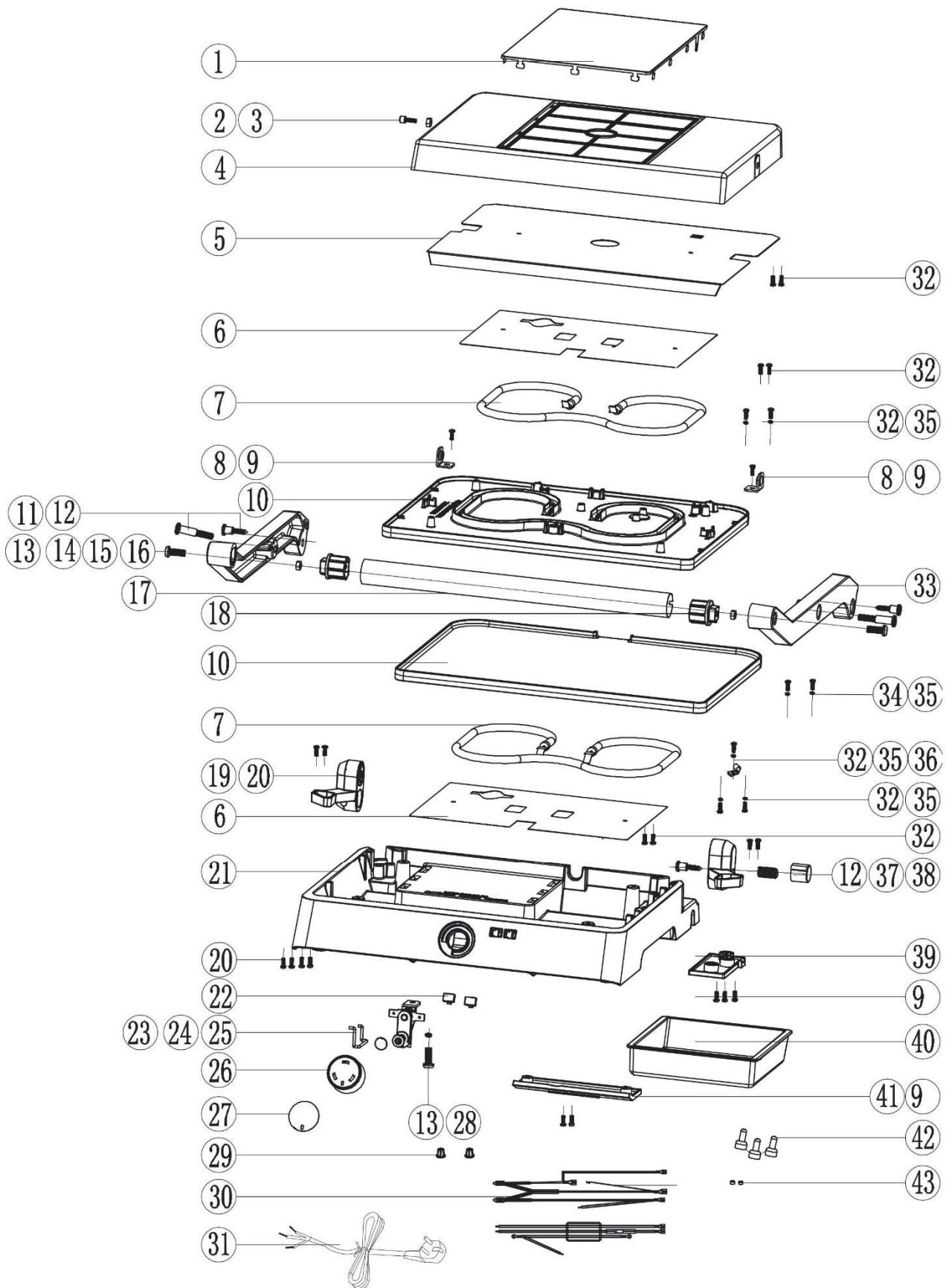
CZĘŚCI ZAMIENNE



TOYA S.A.

AKTUALIZACJA: 11 PAŹDZIERNIKA 2019

Rysunek złożeniowy





Lista części zamiennych

NO	NR SAP	PART NAME	NAZWA
1	Z67451-01	DECORATIVE FILM	
2	Z67451-02	SCREW	
3	Z67451-03	NUT	
4	Z67451-04	UP HOUSING	
5	Z67451-05	REFLECTOR PLATE	
6	Z67451-06	MICA PLATE	
7	Z67451-07	HEATING ELEMENT	
8	Z67451-08	FIXED PIECE	
9	Z67451-09	SCREW	
10	Z67451-10	LOWER PLATE	
7,10	Z67451-10A	LOWER PLATE WITH HEATER	PŁYTA Z GRZAŁKĄ
11	Z67451-11	SCREW	
12	Z67451-12	SCREW	
13	Z67451-13	SCREW	
14	Z67451-14	LEFT ARM	RAMIE LEWE
15	Z67451-15	NUT	
16	Z67451-16	LEFT HAND GLOVE	
17	Z67451-17	HANDLE	
18	Z67451-18	RIGHT HAND GLOVE	
19	Z67451-19	LEFT ARM COVER	
20	Z67451-20	SCREW	
21	Z67451-21	DOWN HOUSING	
22	Z67451-22	SHADE	
23	Z67451-23	DIALLING NEEDLE	
24	Z67451-24	REED SPRING	
25	Z67451-25	THERMOSTAT	TERMOSTAT REGULOWANY 250C
26	Z67451-26	KNOB	POKRĘTŁO
27	Z67451-27	STICKER	
28	Z67451-28	SPRING GASKET	
29	Z67451-29	MAT	
30	Z67451-30	FUSE WITH CABLES	TERMIK Z PRZEWODAMI 240C
31	Z67451-31	POWER LINE	
32	Z67451-32	SCREW	
33	Z67451-33	RIGHT ARM	RAMIE PRAWIE
34	Z67451-34	SCREW	
35	Z67451-35	SPRING GASKET	
36	Z67451-36	FUSE CLIP	
37	Z67451-37	RIGHT ARM COVER	
38	Z67451-38	BUTTON	
39	Z67451-39	LINE BALL COVER	
40	Z67451-40	OIL BOX	POJEMNIK NA TŁUSZCZ
41	Z67451-41	BOTTOM COVER	
42	Z67451-42	WIRE CONNECTOR	
43	Z67451-43	LIGHT THREAD BUCKLE	
	Z67451-44	FUSE 240C	TERMIC 240C